

Thank you for giving Home Theater Direct the chance to win your business! We are confident you will find that HTD offers an outstanding combination of performance and value in everything we make. To ensure you get the most out of your new speakers, please take a moment to read this manual before you get started. Should you lose this manual, you can always download or print a copy from www.htd.com.

A Few Words About Your New Outdoor Speakers

HTD Outdoor Speakers are designed to accurately reproduce high fidelity music in an outdoor environment. They produce crisp highs necessary for an outdoor situation as well as a surprising amount of bass given their compact size. HTD Outdoor Speakers are waterproof and built to last through all seasons. All exposed screws are stainless steel and the aluminum grille is powder-coated so rust is not an issue. The cabinet is made of a high-impact ABS polymer and includes paint with UV protection. The primary components include a polypropylene driver with a butyl rubber surround and a PEI tweeter that hold up under extreme temperature fluctuations.

Mounting the Speakers

Installation of your HTD outdoor speakers is fairly simple, but if you do not feel you have the skills necessary to safely complete the installation, please consult a professional installer. Make sure the material on which you plan to mount the speakers can support the weight of the speakers. Hardware is provided for attaching the brackets directly to a solid wood beam (such as a wall stud) and also to sturdy drywall that is at least 5/8" thick. Never attach the speakers to a wall that might contain electrical wiring or plumbing.

IF YOU ARE UNSURE ABOUT ANY OF THESE INSTRUCTIONS, PLEASE CONTACT A PROFESSIONAL CUSTOM AUDIO INSTALLER.

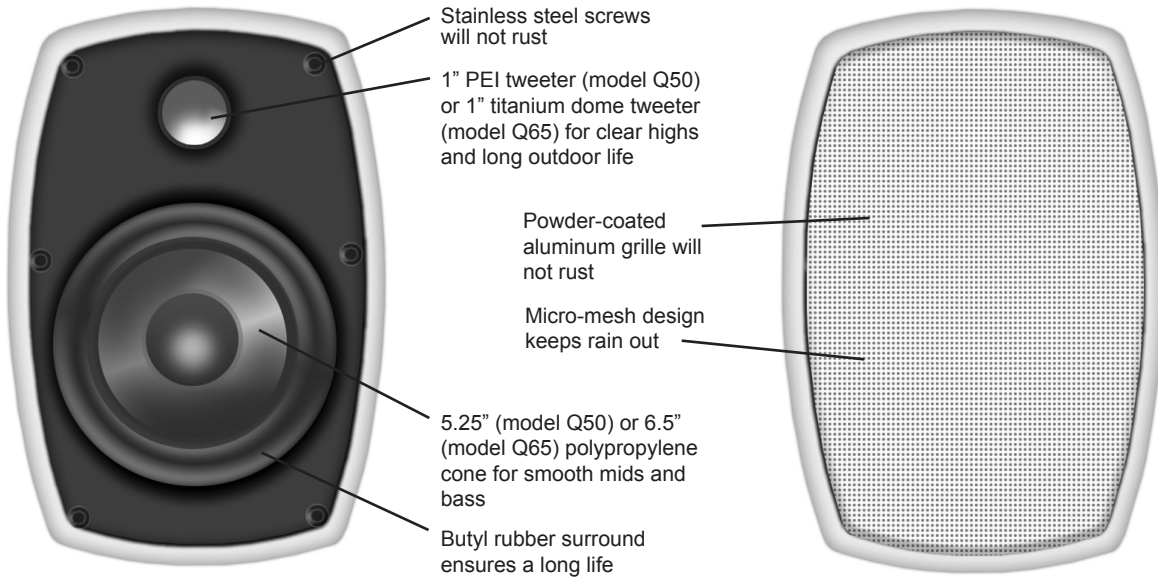
Although HTD outdoor speakers are water proof and can be placed directly in the elements, mounting the speakers under a porch, eave, or overhang will improve the speaker's longevity. Placing the speaker in a corner will also help improve bass performance. Always mount the speakers so that they are aimed slightly downward in order to not collect rain water. Also, make sure to follow the "drip loop" instructions/example diagram (bottom of page 2).

HTD outdoor speakers can be mounted vertically or horizontally and then aimed as needed to deliver the best sound performance for your area. In most cases, you will achieve the best stereo sound and imaging if you mount both speakers along the same wall between 7 and 15 feet apart.

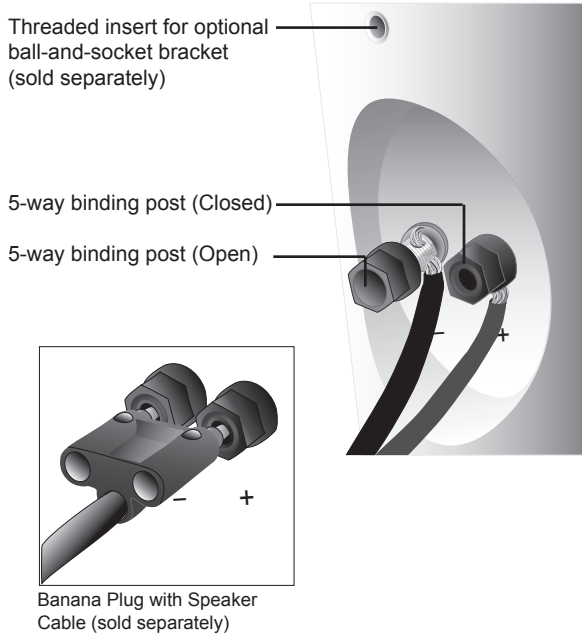
1. Using the "keyhole" slots in the U-brackets as a guide, mark where the two screws will be installed.
2. If a stud is not available behind the drywall, drill a hole slightly smaller than the diameter of the drywall anchor and insert the drywall anchor until it is flush with the wall. Drive screws into a wall stud (if available) or into the drywall anchors leaving the screw heads protruding about 1/8" from the wall. Always use two screws (and two drywall anchors if no stud is available) for each speaker.
3. Run the speaker cable into position and pull the cable through the hole in the center of the bracket before mounting the bracket. Leave an extra 18" of cable to make installation and positioning of the speaker easier.
4. With the bracket attached to the speaker (using the round bracket knobs), place the large center portion of each "keyhole" over the protruding heads of each screw. Slide the speaker and brackets down so that the screw head slips behind the smaller end of the keyhole.
5. Tug gently on each speaker and bracket to make sure that the screws and bracket are properly held snugly in place. If necessary, disconnect a speaker from the bracket, tighten the screws, and then reattach the speaker.
6. Connect the speaker cables to the speaker before connecting the other end to your amplifier: Strip approximately 1/2" of insulation away and tightly twist the wires. For both the positive and negative cable, twist open the binding post by turning counter-clockwise to reveal an "eye". Insert the wire into the "eye" and tighten the binding post back down. When connecting a speaker it is important to maintain correct polarity. To do this, be sure that the wire attached to the +, red, or positive terminal on the speaker connects to the +, red, or positive terminal on the amplifier. Similarly, the -, black, or negative terminal on the speaker must be connected to the respective -, black, or negative terminal on the amplifier. Most cable is either color coded or has some type of writing or other mark on it to help you maintain consistency.
7. With the amplifier turned off, connect the other end of the speaker cable in accordance with the instructions provided with that component. Once connected, turn on the amplifier and test the speakers.

Warranty - All HTD speakers carry a five-year parts and labor warranty. Warranty registration occurred automatically at the time your order was placed. There is no need to complete or mail in additional paperwork.

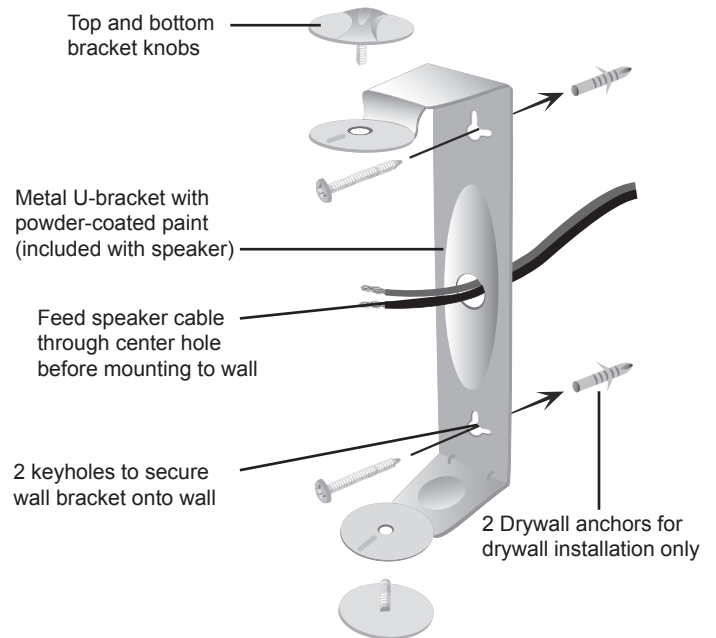
HTD Outdoor Speaker Features



Bare Wire Connection



Wall-Mount Speaker Bracket



Protecting Your Outdoor Speaker with a "Drip Loop"

HTD recommends using a "drip loop" when installing your speaker cable to help minimize the direct flow of water onto the speaker. This will assist in reducing any potential long-term oxidation or water penetration issues by providing a low point for water to escape prior to reaching the speaker. The below examples illustrate how (and how not) to utilize a drip loop.

